



Industrial Grade Capacitors : Can Type "RC" & Axial Type "AXL"

Design Features :

- Latest anodizing with multiple thermal & chemical stabilizing processes for better anodic oxide stability.
- Low and medium gain foils for high ripple current ratings.
- Special purpose electrolyte for low ESR, and long life.
- Cans are specially designed for heat dissipation from element core.



Basic Data :

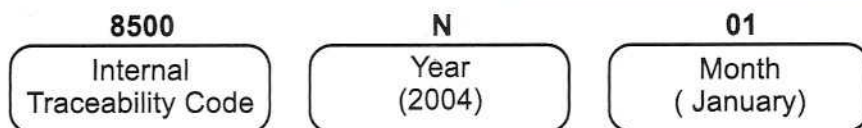
Type	: RC
Capacitance range and tolerance	: 250 to 22,000 μ F and \pm 20%.
Rated voltage range	: 15 to 450 V DC.
Surge voltage	: 1.15 x rated voltage \leq 250 V 1.10 x rated voltage $>$ 250 V
Operating temperature range	: - 40°C to + 85°C
Leakage current limit	: 0.03CV (C - Capacitance in μ F, V - Working Voltage in DC)
Ripple current	: <i>see details in product range</i>
Endurance test at +85°C	: 2000 hrs
Test standards	: IEC 60384 - 4, IS 4317
Climatic category IEC 60 068	: 40 / 085 / 56

Marking :

The capacitors are marked with the following information :

- Name of manufacturer ● Grade ● Climatic category
- Rated capacitance (in mfd) ● Tolerance ● Rated voltage (in V DC) ● Surge voltage (in V DC)
- Date code in 'yy mm' format ● Rescon ordering code.

Date Code System :



Ordering Information for RC type capacitors :





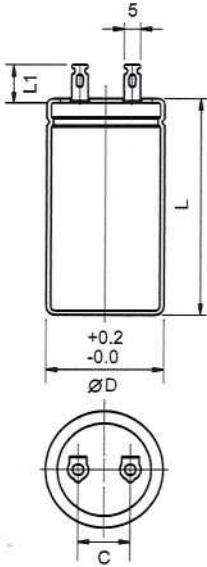
Rescon

Aluminium Electrolytic Capacitors
Medium Can, Lug Terminals



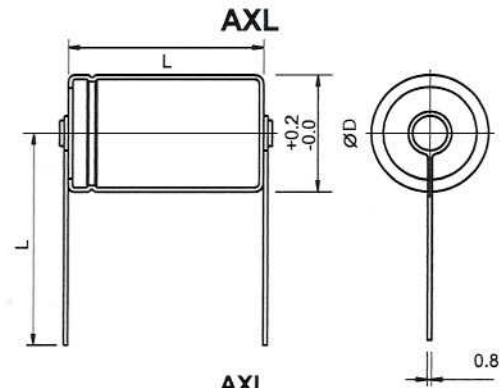
Can Type and Size :

RCST - 2



RCST - 2

D	L	L1	C	Case code
25	48	12	10	244
25	58	12	10	256
35	58	12	14	356
35	78	12	14	380
45	78	12	19	480

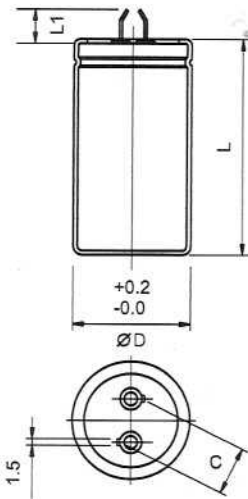


AXL

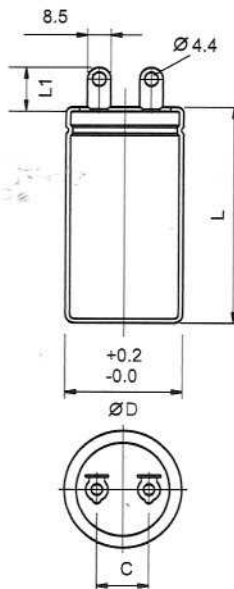
D	L	Case code
20	48	244



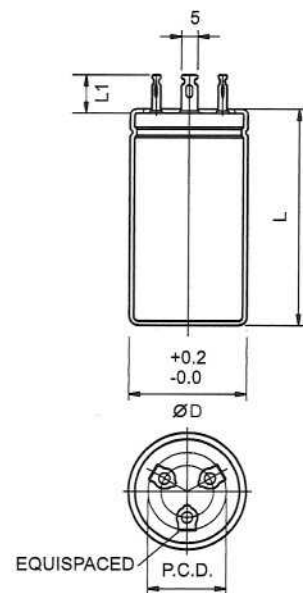
RCBPT - 2



RCSP - 2



RCST - 3



RCBPT - 2

D	L	L1	C	Case code
25	48	8	10	244
25	58	8	10	256
35	58	8	10	356
35	78	8	10	380

RCSP - 2

D	L	L1	C	Case code
35	58	12.5	14	356
35	78	13.5	14	380
45	78	13.5	19	480

RCST - 3

D	L	L1	PCD	Case code
35	58	12	16	356
35	78	12	16	380



Rescon

Aluminium Electrolytic Capacitors
Medium Can, Lug Terminals



Product Range :

Working voltage / (surge voltage)	Capacitance in mfd 100Hz	Can size Ø D x L (mm)	Terminal style	ESR max. at 25°C (m Ω)	Leakage current max. 5 min (mA)	Ripple current at 85°C (Amp)	Ordering no.
50 (57)	2000	25*48	RCST-2	110	3.00	1.36	RCST-2 2K50 248
	2500	25*48	RCST-2	120	3.75	1.45	RCST-2 2K550 248
	3300	25*58	RCST-2	70	4.95	1.55	RCST-2 3K350 258
	4700	35*58	RCST-2	65	7.05	2.89	RCST-2 4K750 358
	5000	35*58	RCST-2	50	7.50	2.99	RCST-2 5K50 358
	6800	35*58	RCST-2	40	10.20	3.75	RCST-2 6K850 358
	10000	35*58	RCST-2	30	15.00	4.16	RCST-2 10K50 358
	15000	45*78	RCST-2	25	22.50	5.88	RCST-2 15K50 478
20000	45*78	RCST-2	22	30.00	6.00	RCST-2 20K50 478	
63 (74)	2000	25*48	RCST-2	75	3.78	1.52	RCST-2 2K63 248
	2200	25*48	RCST-2	58	4.72	1.61	RCST-2 2K563 248
	3300	25*58	RCST-2	50	6.24	2.23	RCST-2 3K363 258
	4700	35*58	RCST-2	40	8.88	3.02	RCST-2 4K763 358
	5000	35*58	RCST-2	40	9.45	3.22	RCST-2 5K63 358
	6800	35*78	RCST-2	38	12.85	4.35	RCST-2 6K863 378
	10000	35*78	RCST-2	35	18.90	5.30	RCST-2 10K63 378
	15000	45*78	RCST-2	20	28.35	5.85	RCST-2 15K63 478
75 (85)	2200	25*58	RCST-2	60	4.95	1.81	RCST-2 2K275 258
	2500	35*58	RCST-2	55	5.63	1.93	RCST-2 2K575 358
	3300	35*58	RCST-2	50	7.43	2.68	RCST-2 3K375 358
	4700	35*78	RCST-2	45	10.58	3.62	RCST-2 4K775 378
	5000	35*78	RCST-2	42	11.25	3.86	RCST-2 5K75 378
	6800	35*78	RCST-2	38	15.30	5.22	RCST-2 6K875 378
	10000	45*78	RCST-2	30	22.50	6.36	RCST-2 10K75 478
100 (115)	500	25*58	RCST-2	452	1.50	0.50	RCST-2 0.50K100 258
	1000	25*58	RCST-2	220	3.00	1.35	RCST-2 1K100 258
	1500	35*58	RCST-2	135	4.50	1.81	RCST-2 1K5100 358
	2000	35*58	RCST-2	98	6.00	2.17	RCST-2 2K100 358
	2200	35*58	RCST-2	85	6.60	2.31	RCST-2 2K2100 358
	2500	35*58	RCST-2	65	7.50	2.42	RCST-2 2K5100 358
	4700	45*78	RCST-2	53	14.10	3.62	RCST-2 4K7100 478
	5000	45*78	RCST-2	41	15.00	4.32	RCST-2 5K100 478
150 (175)	200	20*48	AXL	435	0.90	0.23	AXL 0.20K150 248
	250	25*58	RCSP-2	425	1.13	0.26	RCSP-2 0.25K150 258
	470	35*58	RCSP-2	150	2.12	0.56	RCSP-2 0.47K150 358
	500	35*58	RCSP-2	142	2.25	0.68	RCSP-2 0.50K150 358
	1000	35*78	RCST-2	125	4.50	1.10	RCST-2 1K150 378
	1600	45*78	RCST-2	75	7.20	1.25	RCST-2 1K6150 478
	2000	45*78	RCST-2	62	9.00	2.12	RCST-2 2K150 478
	2200	45*78	RCST-2	58	9.90	2.23	RCST-2 2K2150 478
200 (235)	68	20*48	AXL	5.30	0.41	0.42	AXL 0.068K200 248
	200	25*58	RCST-3	185	2.40	1.20	RCST-3 0.20K200 258
	400	35*58	RCST-3	185	2.40	1.20	RCST-3 0.4K200 358
	1000	35*78	RCST-2	110	6.00	3.42	RCST-2 1K200 378



Rescon

Aluminium Electrolytic Capacitors
Medium Can, Lug Terminals



Product Range :

Working voltage / (surge voltage)	Capacitance in mfd 100Hz	Can size Ø D x L (mm)	Terminal style	ESR max. at 25°C (m Ω)	Leakage current max. 5 min (mA)	Ripple current at 85°C (Amp)	Ordering no.
250 (285)	220	25*58	RCST-2	175	1.65	1.35	RCST-2 0.2K250 258
	330	35*58	RCST-2	185	2.48	1.45	RCST-2 0.33K250 358
	470	35*58	RCST-2	150	3.53	2.01	RCST-2 0.47K250 358
	1000	35*78	RCST-2	110	7.50	3.58	RCST-2 1K250 378
350 (385)	20	20*48	AXL	5.30	0.21	0.24	AXL 0.20K350 248
	100	25*58	RCST-2	6.50	1.05	0.95	RCST-2 0.10K350 258
	220	35*58	RCST-2	266	2.31	1.62	RCST-2 0.22K350 358
	470	35*58	RCST-2	140	4.94	2.24	RCST-2 0.47K350 358
	500	35*58	RCST-2	110	5.25	2.89	RCST-2 0.50K350 358
450 (495)	10	20*48	AXL	4000	0.14	0.12	AXL 0.010K450 248
	16	20*48	AXL	2580	0.22	0.18	AXL 0.016K450 248
	32	20*48	AXL	1600	0.43	0.30	AXL 0.032K450 248
	100	25*48	RCST-2	685	1.35	0.45	RCST-2 0.10K450 248
	220	25*58	RCST-2	425	2.97	0.70	RCST-2 0.22K450 258
	330	25*58	RCST-2	380	4.46	1.12	RCST-2 0.33K450 258
	470	35*58	RCST-2	260	6.35	1.75	RCST-2 0.47K450 358
	500	35*58	RCST-2	180	6.75	1.98	RCST-2 0.50K450 358

Note :

- 1) All specifications are at 100HZ.
- 2) The above is only a representative range of manufacturing programme.
- 3) Capacitors are also manufactured in 16, 25, 315 and 400 Volts.
- 4) Capacitors of values other than those mentioned above, can be manufactured against specific requirements.
- 5) Terminal style other than those mentioned above, can be manufactured against specific requirements.
- 6) Due to continuous upgradation of technology, can dimension and technical specifications are subject to change. It is therefore advisable to re-confirm all details with us prior to order placement.

Packing Details :

D max (mm)	L max (mm)	Mass (g)	Packaging Quantities (units per box)	Cardboard Box l x w x h (mm)
20	48	≈ 25	200	320 x 270 x 135
25	48	≈ 30	140	320 x 270 x 155
25	58	≈ 40	140	320 x 270 x 155
35	58	≈ 60	140	320 x 270 x 155
35	78	≈ 110	140	320 x 270 x 155
45	78	≈ 120	82	320 x 270 x 200

Rescon MANUFACTURING CO. PVT. LTD.

Factory & Office : 43/1, Karve Road, Pune - 411 038. INDIA. Tel.: 91- (0)22- 2543 4864 /2543 4805
Fax : +91-(0)20-2543 0727 Email : rescon@pn3.vsnl.net.in